

PhysicsByAaryan

CSIR NET . GATE . JEST . BARC - Physics

CSIR NET Physics - June 2024 - Full Paper

Complete question paper with answer key

75 questions . Answer key included

www.physicsbyaaryan.com . www.csirnetphysics.com

Contact: 9501976811

Q1. [June 2024] . 2.0 marks

General Aptitude > Mathematical Analysis

CSIR NET	2024 June	2M
----------	-----------	----

A large number of birds, half of which belong to specie A and the other half to specie B , rest on a tree where they are distributed randomly across the branches. In a random sample of 5 birds from the tree, what is the probability that at least one is from specie A?

1. 0.03125
2. 0.15625
3. 0.84375
4. 0.96875

Q2. [June 2024] . 2.0 marks

General Aptitude > Mathematical Analysis

CSIR NET	2024 June	2M
----------	-----------	----

Suppose that the increase in a population can be modelled as $\left(\frac{dN}{dt}\right) = rN \frac{(K-N)}{K}$ where N is the size of the population, K is the carrying capacity, r is the per capita growth rate and t is time. Which of the following statements is correct?

1. When $N \approx 0$, the change in population N is nearly exponential.
2. When $N = K$, the population goes extinct as dN/dt goes to zero.
3. When $N \approx 0$, the population growth dN/dt is maximum.
4. When $N \approx K/4$, the population growth dN/dt is maximum.

Q3. [June 2024] . 2.0 marks

General Aptitude > Geometry

CSIR NET	2024 June	2M
----------	-----------	----

A rectangular tray of $30\text{ cm} \times 60\text{ cm}$ size is used for baking circular biscuits. The diameter of each biscuit is 3 cm before baking, which increases by 10% on baking. What is the maximum number of biscuits that can be baked in the tray such that the base of each biscuit is in contact with the tray?

1. 171
2. 162
3. 180
4. 200

Q4. [June 2024] . 2.0 marks

General Aptitude > Geometry

CSIR NET	2024 June	2M
----------	-----------	----

In how many distinct ways can 128 identical marbles be arranged in a complete rectangular grid (disregarding the orientation of the grid)?

1. 7
2. 6
3. 5
4. 4

Q5. [June 2024] . 2.0 marks

General Aptitude > Mathematical Analysis

CSIR NET	2024 June	2M
----------	-----------	----

How many three-digit numbers exist whose first and last digits add up to 9 ?

1. 90
2. 81
3. 80
4. 72

Q6. [June 2024] . 2.0 marks

General Aptitude > Reasoning

CSIR NET	2024 June	2M
----------	-----------	----

Among A, B, C, D, E and F, D is taller than B but shorter than F. E is taller than B, but shorter than C. B is not the shortest of all. Then A is

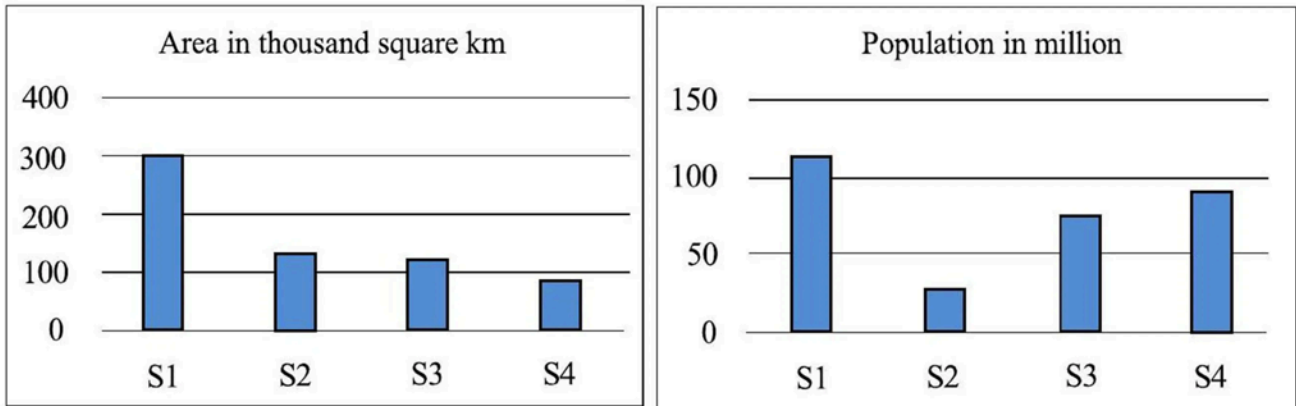
1. the shortest of all
2. the tallest of all
3. taller than E, but shorter than C
4. taller than C, but shorter than F

Q7. [June 2024] . 2.0 marks

General Aptitude > Data Analysis

CSIR NET	2024 June	2M
----------	-----------	----

Areas and populations of four states S1, S2, S3 and S4 are shown.



Their arrangement in decreasing order of population density would be

1. S4, S3, S1, S2
2. S1, S2, S3, S4
3. S4, S1, S3, S2
4. S2, S1, S3, S4

Q8. [June 2024] . 2.0 marks

General Aptitude > Mathematical Analysis

CSIR NET	2024 June	2M
----------	-----------	----

Among 1000 squirrel babies, 200 have three stripes on their back, 500 have two stripes on their back and the rest have four stripes on their back. While 90% of the three-striped babies survive to adulthood, only 80% of the two-striped and 70% of the four-striped babies survive to adulthood. The fraction of four-striped squirrels among the adults is nearest to

1. 0.21
2. 0.3
3. 0.266
4. 0.228

Q9. [June 2024] . 2.0 marks

General Aptitude > Mathematical Analysis

CSIR NET	2024 June	2M
----------	-----------	----

In a class of 70 students, 20% of girls have spectacles and 40% of boys have spectacles. If the total number of students having spectacle is 23 , the number of boys in the class is

1. 45
2. 14
3. 18
4. 25

Q10. [June 2024] . 2.0 marks

General Aptitude > Mathematical Analysis

CSIR NET	2024 June	2M
----------	-----------	----

A referendum on a proposal involved 7000 participants. Among the participants 3600 were women and the rest were men. 2900 participants, of whom 1300 were women, voted against while 3000 participants voted in favour. 400 women abstained. The ratio of the number of men that did not vote to the total number of participants is

1. 11:70
2. 17:35
3. 1:10
4. 8:70

Q11. [June 2024] . 2.0 marks

General Aptitude > Data Analysis

CSIR NET	2024 June	2M
----------	-----------	----

The population of a town is increasing at a uniform rate. If its population was 90,000 and 96000 in 2022 and 2023 respectively, what would be its population in 2024 ?

1. 102,000
2. 102,400
3. 102,720
4. 102,960

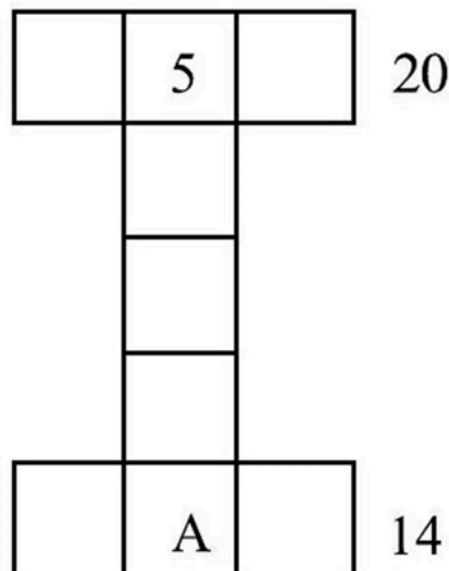
Q12. [June 2024] . 2.0 marks

General Aptitude > Geometry

CSIR NET	2024 June	2M
----------	-----------	----

The squares in the following grid are filled with numbers 1 to 9, without repetition, such that the numbers in the squares forming the top and bottom rows add to 20 and 14 respectively and those forming the column to 23 . What is the value of A ?

1. 4
2. 6
3. 7
4. 8



Q13. [June 2024] . 2.0 marks

General Aptitude > Mathematical Analysis

CSIR NET	2024 June	2M
----------	-----------	----

If $32XY6$ is divisible by 9, X and Y being even decimal digits, then $X =$

1. 2
2. 4
3. 6
4. 8

Q14. [June 2024] . 2.0 marks

General Aptitude > Basic Physics

CSIR NET	2024 June	2M
----------	-----------	----

Canals A and B join to form canal C, all having semi-circular cross-sections of radii which are in the ratio 3:4:5, respectively. Assume smooth merger of A and B, and ignore the possibility of flooding. If the speed s of water is the same and uniform in both A and B then the speed of water flowing in C is

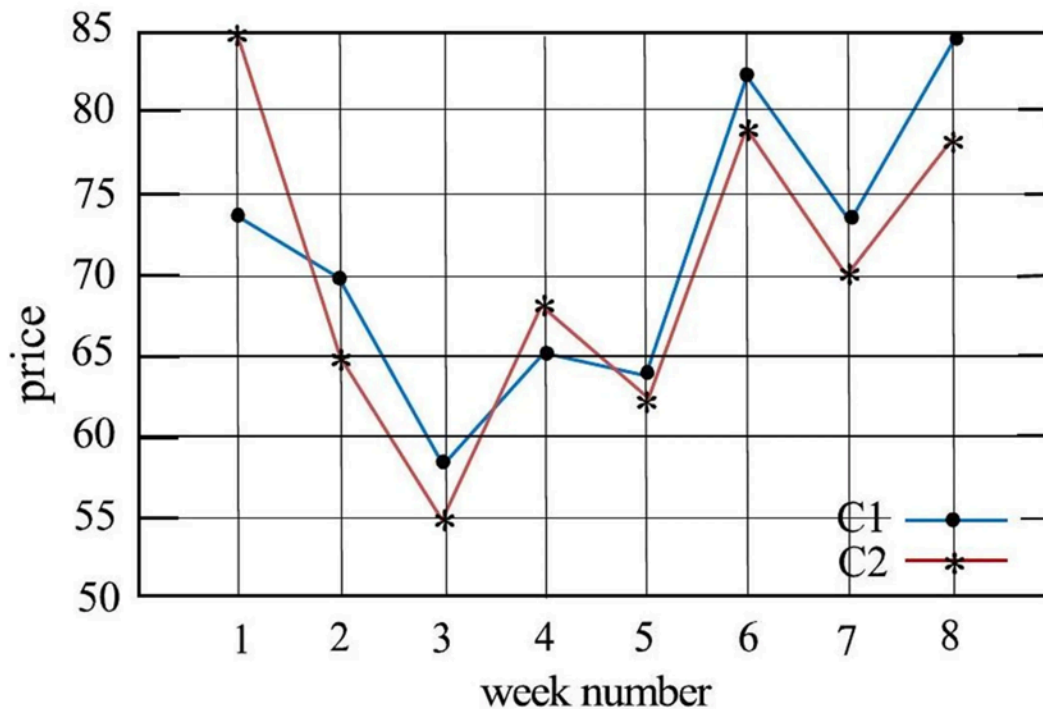
1. s
2. $7s/5$
3. $2s$
4. $5s/7$

Q15. [June 2024] . 2.0 marks

General Aptitude > Data Analysis

CSIR NET	2024 June	2M
----------	-----------	----

The two graphs show the change in price of two commodities C1 and C2 over 8 weeks.



Which of the statements is correct?

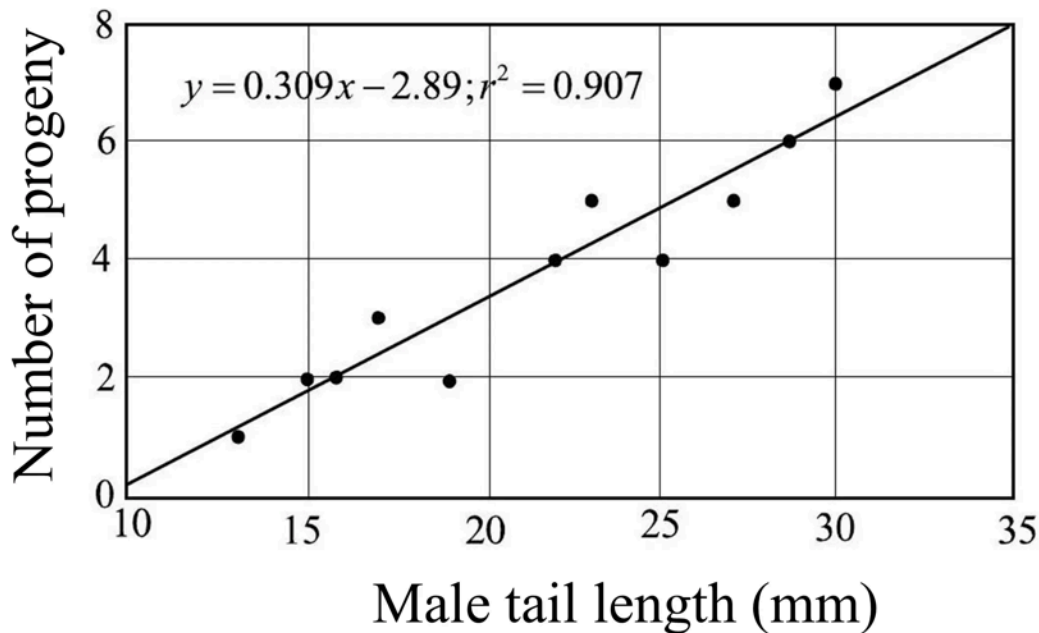
1. C1 has higher fluctuation than C2
2. Average price of C 1 is lower than that of C 2
3. The largest change in a week is shown by C2
4. C1 shows a tendency of reduction

Q16. [June 2024] . 2.0 marks

General Aptitude > Data Analysis

CSIR NET	2024 June	2M
----------	-----------	----

The graph shows observations and a regression line of the number of progeny on the tail length of male birds.



Which of the following can be inferred from the graph?

1. Producing less progeny decreases the tail length of the males.
2. Males cannot have a tail length lesser than 10 mm .
3. Males with longer tails tend to father more progeny.
4. For a male with a 25 mm tail, the expected number of progeny is 4 .

Q17. [June 2024] . 2.0 marks

General Aptitude > Geometry

CSIR NET	2024 June	2M
----------	-----------	----

On a one-way road, broken lines consisting of 2.5 m length segments separated by 2.5 m gaps are painted along the length of the road to demarcate 3 lanes, and continuous lines are painted along both the borders. What is the total length of the painted lines (in m) over a 250 m stretch of the road?

1. 500
2. 625
3. 750
4. 1000

Q18. [June 2024] . 2.0 marks

General Aptitude > Basic Physics

CSIR NET	2024 June	2M
----------	-----------	----

A patient requires administration of 500 ml of an intravenous fluid in 1 hour. What is the approximate drip rate (number of drops per minute) at which the fluid should be administered, if the volume of a drop is 0.05 ml ?

1. 76
2. 152
3. 167
4. 332

Q19. [June 2024] . 2.0 marks

General Aptitude > Basic Physics

CSIR NET	2024 June	2M
----------	-----------	----

A record player stylus moves along a spiral groove cut on an annular portion of a disc with inner radius 4 cm and outer radius 10 cm . If the record turns 100 times when playing, the stylus travels approximately

1. 2.2 m
2. 4.4 m
3. 22 m
4. 44 m

Q20. [June 2024] . 2.0 marks

General Aptitude > Geometry

CSIR NET	2024 June	2M
----------	-----------	----

An egg tray has 30 cavities to hold eggs in 5 rows and 6 columns. Each cavity is surrounded by 4 raised corners shared by adjacent cavities. How many raised corners does the egg tray have?

1. 30
2. 35
3. 36
4. 42

Q21. [June 2024] . 3.5 marks

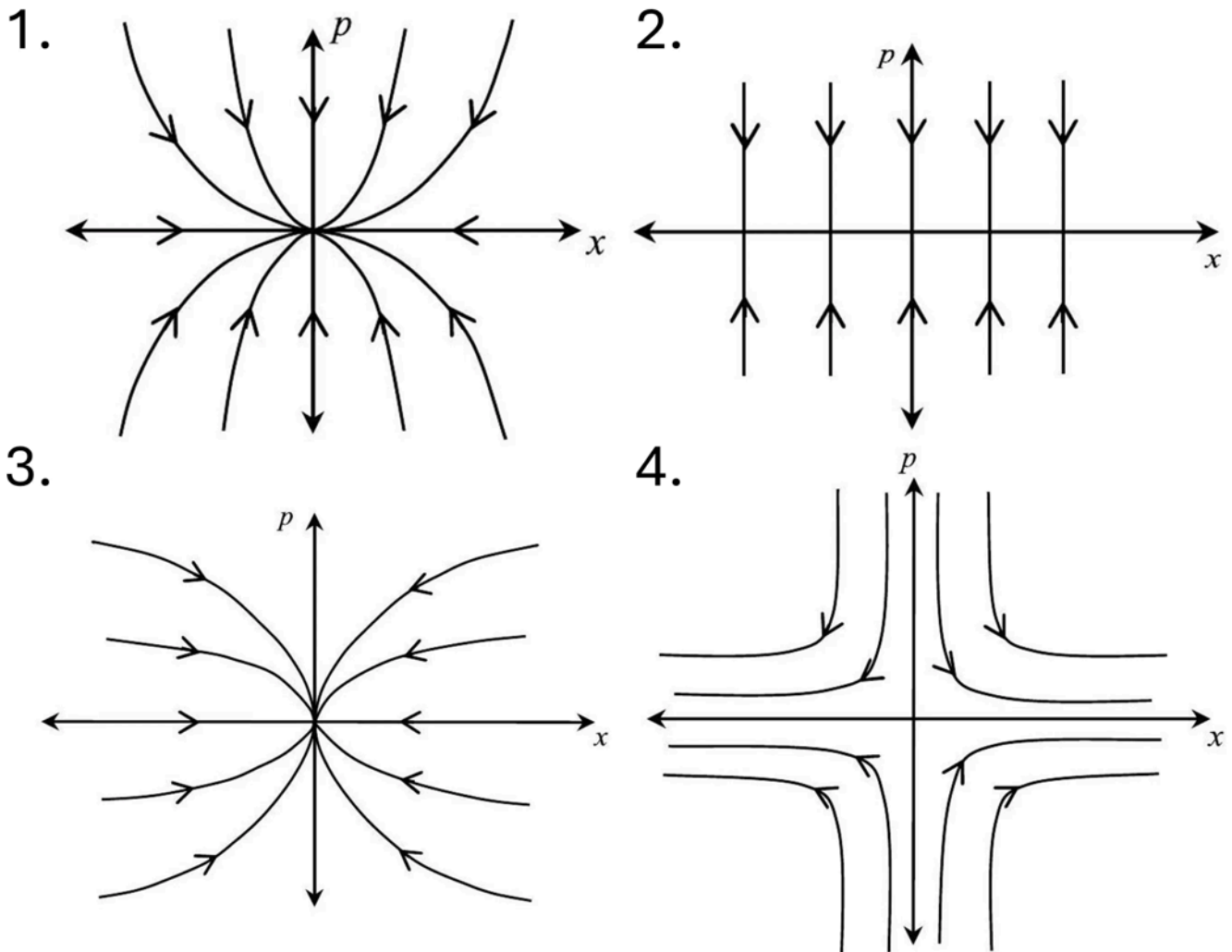
Classical Mechanics > Phase space diagrams

CSIR NET	2024 June	3.5M
----------	-----------	------

The evolution of the dynamical variables $x(t)$ and $p(t)$ is given by

$$\dot{x} = ax, \dot{p} = -p$$

where a is a constant. The trajectory in (x, p) space for $-1 < a < 0$ is best described by



Q22. [June 2024] . 3.5 marks

Classical Mechanics > Rotation Motion

CSIR NET	2024 June	3.5M
----------	-----------	------

A uniform plane square sheet of mass m is centered at the origin of an inertial frame. The sheet is rotating about an axis passing through the origin. At an instant when all its vertices lie on x and y axes, the angular momentum is $\vec{L} = I_0\omega_0(2\hat{i} + \hat{j} + 2\hat{k})$, where I_0 is the moment of inertia about the x axis. At this instant, the angular velocity of the sheet is

1. $(2\hat{i} + \hat{j} + 2\hat{k})\omega_0$
2. $(2\hat{i} + \hat{j} + \hat{k})\omega_0$
3. $(2\hat{i} + \hat{j})\omega_0$
4. $(\hat{i} + \hat{j})\omega_0$

Q23. [June 2024] . 3.5 marks

Classical Mechanics > Central forces

CSIR NET	2024 June	3.5M
----------	-----------	------

A body of mass m is acted upon by a central force $\vec{f}(\vec{r}) = -k\vec{r}$, where k is a positive constant. If the magnitude of the angular momentum is l , then the total energy for a circular orbit is

1. $2\sqrt{\frac{kl^2}{m}}$

2. $\frac{1}{2}\sqrt{\frac{kl^2}{m}}$

3. $\frac{3}{2}\sqrt{\frac{kl^2}{m}}$

4. $\sqrt{\frac{kl^2}{m}}$

Q24. [June 2024] . 3.5 marks

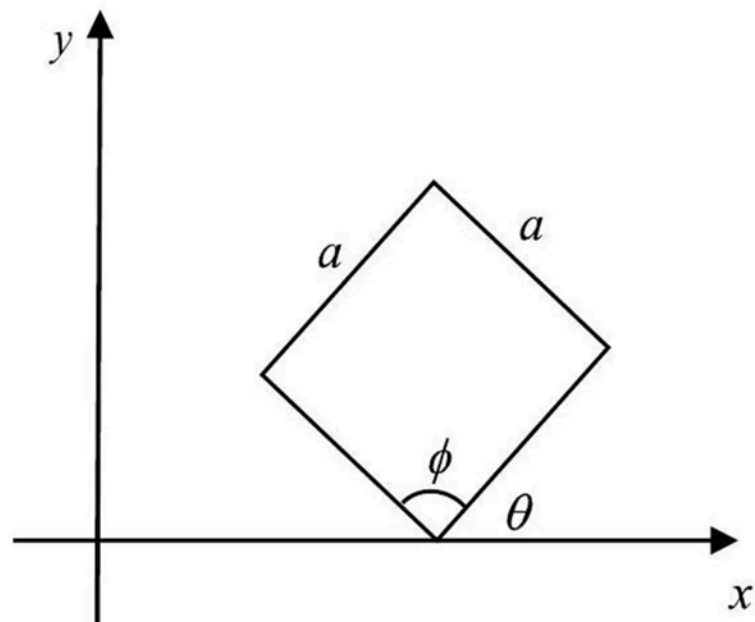
Classical Mechanics > Special theory of relativity

CSIR NET	2024 June	3.5M
----------	-----------	------

A square plate of dimension $a \times a$ makes an angle $\theta = \pi/4$ with the x axis in its rest frame (S) as shown

in the figure. It is moving with a speed $v = \sqrt{\frac{2}{3}} C$ along the x axis with respect to an observer S' (where C is the speed of light in vacuum). The value of the interior angle ϕ indicated in the figure (which is obviously $\pi/2$ in the frame S), as measured in S' is

1. $\frac{\pi}{3}$
2. $\frac{2\pi}{3}$
3. $\frac{\pi}{6}$
4. $\frac{4\pi}{3}$



Q25. [June 2024] . 3.5 marks

Quantum Mechanics > Quantum Harmonic Oscillator

CSIR NET

2024 June

3.5M

The Hamiltonian for a one-dimensional simple harmonic oscillator is given by $H = \frac{p^2}{2m} + \frac{1}{2}m\omega^2 x^2$. The harmonic oscillator is in the state

$$|\psi\rangle = \frac{1}{\sqrt{1+\lambda^2}} (|1\rangle + \lambda e^{i\theta} |2\rangle),$$

where $|1\rangle$ and $|2\rangle$ are the normalised first and second excited states of the oscillator and λ, θ are positive real

constants. If the expectation value $\langle\psi|x|\psi\rangle = \beta \sqrt{\frac{\hbar}{m\omega}}$, the value of β is

1. $\frac{1}{\sqrt{2}(1+\lambda^2)}$
2. $\frac{\sqrt{2}\lambda\cos\theta}{1+\lambda^2}$
3. $\frac{2\lambda\cos\theta}{1+\lambda^2}$
4. $\frac{\lambda^2\cos\theta}{1+\lambda^2}$

Q26. [June 2024] . 3.5 marks

Quantum Mechanics > Basic Quantum Mechanics

CSIR NET	2024 June	3.5M
----------	-----------	------

If A and B are Hermitian operators and C is an antihermitian operator, then

1. $[[A, B], C]$ is hermitian and $[[A, C], B]$ is antihermitian
2. $[[A, B], C]$ and $[[A, C], B]$ are both antihermitian
3. $[[A, B], C]$ and $[[A, C], B]$ are both hermitian
4. $[[A, B], C]$ is antihermitian and $[[A, C], B]$ is Hermitian

Q27. [June 2024] . 3.5 marks

Quantum Mechanics > Spin Angular momentum

CSIR NET	2024 June	3.5M
----------	-----------	------

If \vec{L} is the orbital angular momentum operator and $\vec{\sigma}$ are the Pauli matrices, which of the following operators commutes with $\vec{\sigma} \cdot \vec{L}$?

1. $\vec{L} - \frac{\hbar}{2} \vec{\sigma}$
2. $\vec{L} + \frac{\hbar}{2} \vec{\sigma}$
3. $\vec{L} + \hbar \vec{\sigma}$
4. $\vec{L} - \hbar \vec{\sigma}$

Q28. [June 2024] . 3.5 marks

Quantum Mechanics > Orbital angular Momentum and Hydrogen atom

CSIR NET	2024 June	3.5M
----------	-----------	------

A quantum mechanical system is in the angular momentum state $|l = 4, l_z = 4\rangle$. The uncertainty in L_x is

1. $\hbar\sqrt{2}$
2. $2\hbar$
3. 0
4. \hbar

Q29. [June 2024] . 3.5 marks

Quantum Mechanics > Orbital angular Momentum and Hydrogen atom

CSIR NET	2024 June	3.5M
----------	-----------	------

A hydrogen atom is in the state

$$|\psi\rangle = \sqrt{\frac{8}{21}} |\psi_{200}\rangle + \sqrt{\frac{3}{7}} |\psi_{210}\rangle + \sqrt{\frac{4}{21}} |\psi_{311}\rangle$$

where $|\psi_{nlm}\rangle$ are normalised eigenstates. If \hat{L}^2 is measured in this state, the probability of obtaining the value $2\hbar^2$ is

1. $\frac{13}{21}$
2. $\frac{4}{21}$
3. $\frac{17}{21}$
4. $\frac{3}{7}$

Q30. [June 2024] . 3.5 marks

Mathematical Physics > Probability

CSIR NET	2024 June	3.5M
----------	-----------	------

Probability density function of a variable x is given by $P(x) = \frac{1}{2} [\delta(x - a) + \delta(x + a)]$. The variance of x is

1. a^2
2. 0
3. $2a^2$
4. $\frac{a^2}{2}$

Q31. [June 2024] . 3.5 marks

Mathematical Physics > Vector Algebra and Vector Calculus

CSIR NET	2024 June	3.5M
----------	-----------	------

Vorticity of a vector field \vec{B} is defined as $\vec{V} = \vec{\nabla} \times \vec{B}$.

Given $\vec{B} = kxyz\hat{r}$, where k is a constant, which one of the following is correct?

1. Vorticity is a null vector for all finite x, y, z
2. Vorticity is parallel to the vector field everywhere
3. The angle between vorticity and vector field depends on x, y, z
4. Vorticity is perpendicular to the vector field everywhere

Q32. [June 2024] . 3.5 marks

Mathematical Physics > Matrices and Linear Algebra

CSIR NET	2024 June	3.5M
----------	-----------	------

The matrix A is given by $A = \begin{bmatrix} 1 & 2 & -3 \\ 0 & 3 & 2 \\ 0 & 0 & -2 \end{bmatrix}$

The eigenvalues of $3A^3 + 5A^2 - 6A + 2I$, where I is the identity matrix, are

1. 4, 9, 27
2. 1, 9, 44
3. 1, 110, 8
4. 4, 110, 10

Q33. [June 2024] . 3.5 marks

Mathematical Physics > Gamma and beta functions

CSIR NET	2024 June	3.5M
----------	-----------	------

An integral is given by

$$\int_{-\infty}^{\infty} dx \int_{-\infty}^{\infty} dy \exp[-(x^2 + y^2 + 2axy)],$$

where a is a real parameter. The full range of values of a for which the integral is finite, is

1. $-\infty < a < \infty$
2. $-2 < a < 2$
3. $-1 < a < 1$
4. $-1 \leq a \leq 1$

Q34. [June 2024] . 3.5 marks

Electromagnetism > EM Waves

CSIR NET	2024 June	3.5M
----------	-----------	------

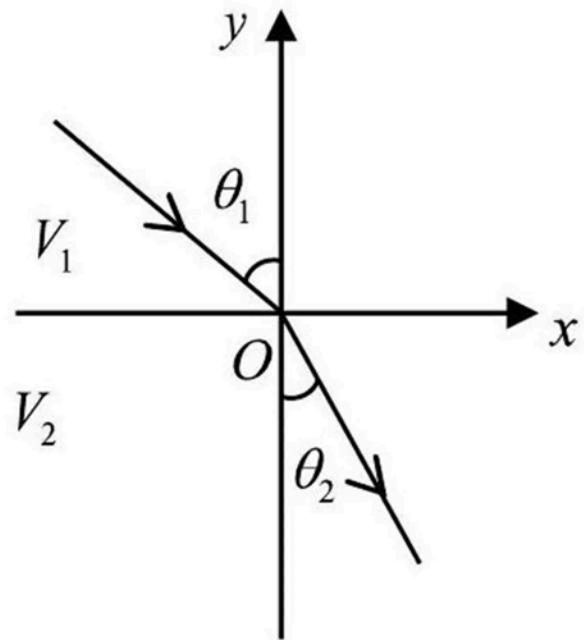
The region $y > 0$ has a constant electrostatic potential V_1 and $y < 0$ has a constant electrostatic potential $V_2 \neq V_1$. A charged particle with momentum \vec{p}_1 is incident at an angle θ_1 on the interface of the two regions (see figure below). If the particle has momentum \vec{p}_2 in the region $y < 0$, then the angle θ_2 is given by

1. $\cos^{-1} \left(\frac{p_2}{p_1} \cos \theta_1 \right)$

2. $\cos^{-1} \left(\frac{p_1}{p_2} \cos \theta_1 \right)$

3. $\sin^{-1} \left(\frac{p_2}{p_1} \sin \theta_1 \right)$

4. $\sin^{-1} \left(\frac{p_1}{p_2} \sin \theta_1 \right)$



Q35. [June 2024] . 3.5 marks

Electromagnetism > EM Waves

CSIR NET

2024 June

3.5M

The electric field of an electromagnetic wave in free space is given by

$$\vec{E} = E_0 \sin(\omega t - k_z z) \hat{j}$$

The magnetic field \vec{B} vanishes for $t = \frac{k_z z}{\omega}$. The Poynting vector of the system is

1. $\frac{k_z}{2\mu_0\omega} E_0^2 \sin^2(\omega t - k_z z) \hat{k}$
2. $\frac{4k_z}{\mu_0\omega} E_0^2 \sin^2(\omega t - k_z z) \hat{k}$
3. $\frac{2k_z}{\mu_0\omega} E_0^2 \sin^2(\omega t - k_z z) \hat{k}$
4. $\frac{k_z}{\mu_0\omega} E_0^2 \sin^2(\omega t - k_z z) \hat{k}$

Q36. [June 2024] . 3.5 marks

Electromagnetism > Multipoles

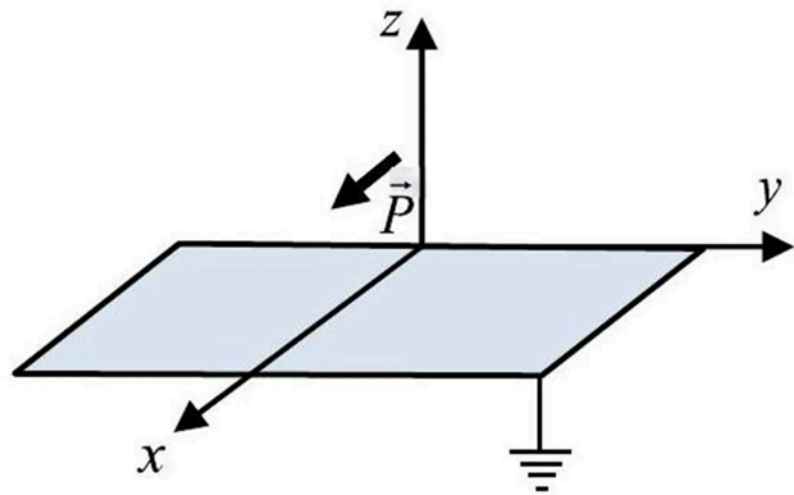
CSIR NET

2024 June

3.5M

A point electric dipole $\vec{P} = p_x \hat{i}$ is placed at a vertical distance d above a grounded infinite conducting xy plane as shown in the figure. At a point \vec{r} ($r \gg d, z > 0$) far away from the dipole, the electrostatic potential $V(r)$ varies approximately as

1. $\frac{1}{r^2}$
2. $\frac{1}{r^6}$
3. $\frac{1}{r^3}$
4. $\frac{1}{r^4}$

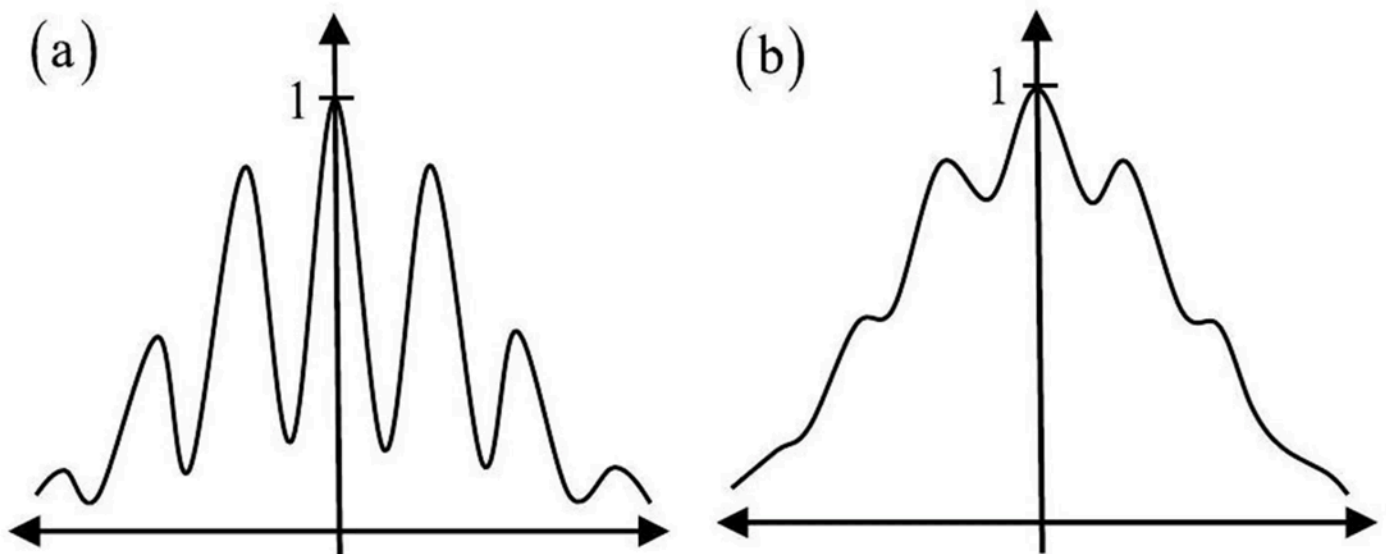


Q37. [June 2024] . 3.5 marks

Optics > Interference and diffraction

CSIR NET	2024 June	3.5M
----------	-----------	------

A finite sized light source is used in a double slit experiment. The observed intensity pattern changes from figure (a) to figure (b), as shown below.



The observed change can occur due to

1. narrowing of the slits
2. a reduction in the distance between the slits
3. a decrease in the coherence length of the light source
4. a reduction in the size of the light source

Q38. [June 2024] . 3.5 marks

Statistical Mechanics > Canonical Ensemble

CSIR NET	2024 June	3.5M
----------	-----------	------

Quantum particles of unit mass, in a potential

$$V(x) = \begin{cases} \frac{1}{2} \omega^2 x^2 & x > 0 \\ \infty & x \leq 0 \end{cases}$$

are in equilibrium at a temperature T . Let n_2 and n_3 denote the numbers of the particles in the second and third excited states respectively. The ratio n_2/n_3 is given by

1. $\exp\left(\frac{2\hbar\omega}{k_B T}\right)$
2. $\exp\left(\frac{\hbar\omega}{k_B T}\right)$
3. $\exp\left(\frac{3\hbar\omega}{k_B T}\right)$
4. $\exp\left(\frac{4\hbar\omega}{k_B T}\right)$

Q39. [June 2024] . 3.5 marks

Statistical Mechanics > Canonical Ensemble

CSIR NET	2024 June	3.5M
----------	-----------	------

A single particle can exist in two states with energies 0 and E respectively. At high temperatures ($k_B T \gg E$) the specific heat of the system (C_V) will be approximately

1. proportional to $\frac{1}{T}$
2. proportional to $\frac{1}{T^2}$
3. proportional to $e^{\frac{E}{k_B T}}$
4. constant

Q40. [June 2024] . 3.5 marks

Thermodynamics > Laws of thermodynamics

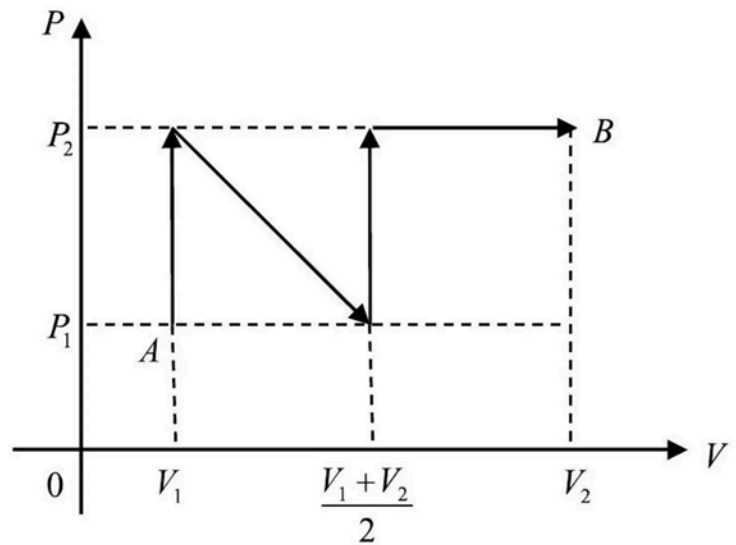
CSIR NET

2024 June

3.5M

The following $P - V$ diagram shows a process, where an ideal gas is taken quasi-statically from A to B along the path as shown in the figure. The work done W in this process is

1. $\frac{1}{4}(V_2 - V_1)(3P_2 + P_1)$
2. $\frac{1}{4}(V_2 - V_1)(3P_2 - P_1)$
3. $\frac{1}{2}(V_2 - V_1)(P_1 + P_2)$
4. $\frac{1}{2}(V_2 + V_1)(P_2 - P_1)$



Q41. [June 2024] . 3.5 marks

Statistical Mechanics > Microcanonical Ensemble

CSIR NET	2024 June	3.5M
----------	-----------	------

Two non-interacting classical particles having masses m_1 and m_2 are moving in a one-dimensional box of length L . For total energy not exceeding a given value E , the phase space "volume" is given by

1. $\pi L^2 E \left(\frac{m_1 m_2}{m_1 + m_2} \right)$
2. $\pi L^2 E \sqrt{m_1 m_2}$
3. $2\pi L^2 E \left(\frac{m_1 m_2}{m_1 + m_2} \right)$
4. $2\pi L^2 E \sqrt{m_1 m_2}$

Q42. [June 2024] . 3.5 marks

Electronics > "Errors , curve fitting and data analysis"

CSIR NET	2024 June	3.5M
----------	-----------	------

A set of 100 data points yields an average $\bar{x} = 9$ and a standard deviation $\sigma_x = 4$. The error in the estimated mean is closest to

1. 3.0
2. 0.4
3. 4.0
4. 0.3

Q43. [June 2024] . 3.5 marks

Electronics > Instruments

CSIR NET	2024 June	3.5M
----------	-----------	------

A battery with an open circuit voltage of 10 V is connected to a load resistor of 485Ω and the voltage measured across the battery terminals using an ideal voltmeter is 9.7 V . The internal resistance of the battery is closest to

1. 30Ω
2. 15Ω
3. 20Ω
4. 40Ω

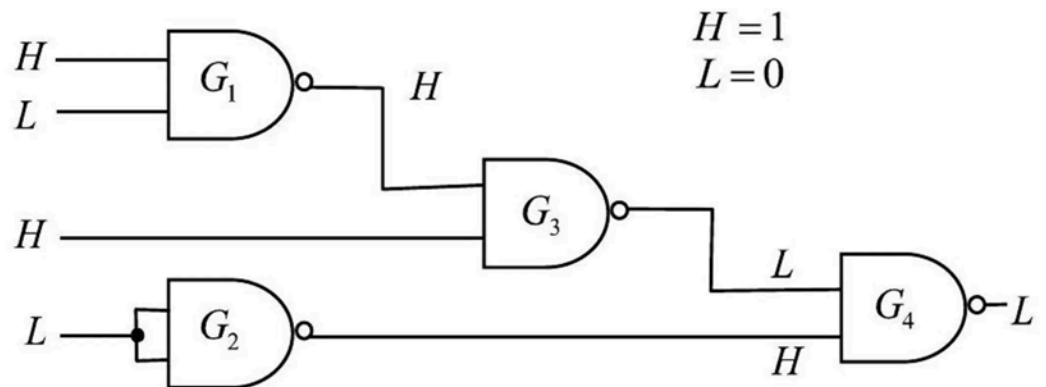
Q44. [June 2024] . 3.5 marks

Electronics > Digital Electronics

CSIR NET	2024 June	3.5M
----------	-----------	------

The logic levels H and L at different locations in a digital circuit are found to be as shown in the figure. Based on these observations, which of the logic gates is not behaving as an ideal NAND gate?

1. G2
2. G3
3. G4
4. G1

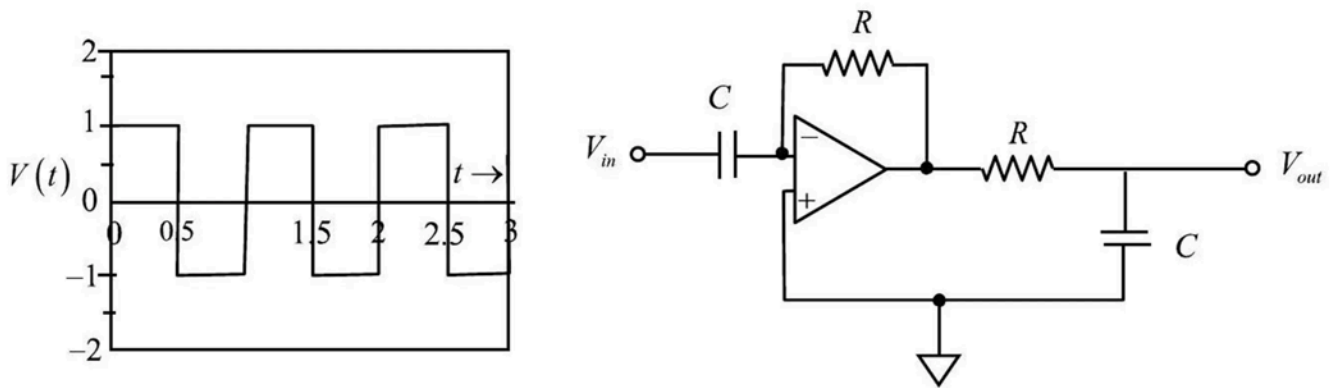


Q45. [June 2024] . 3.5 marks

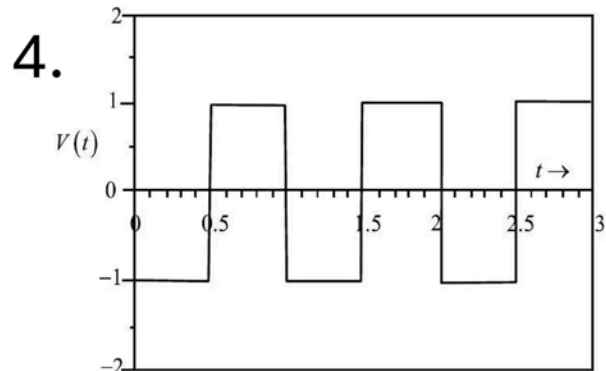
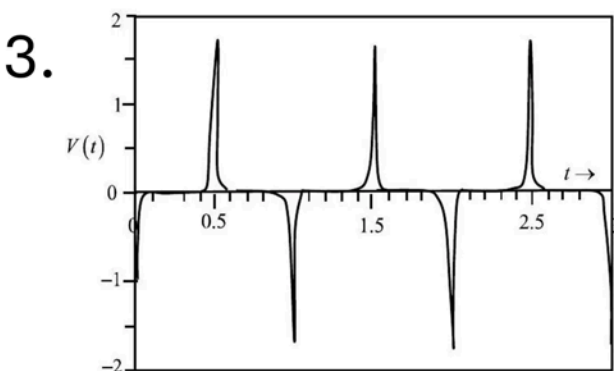
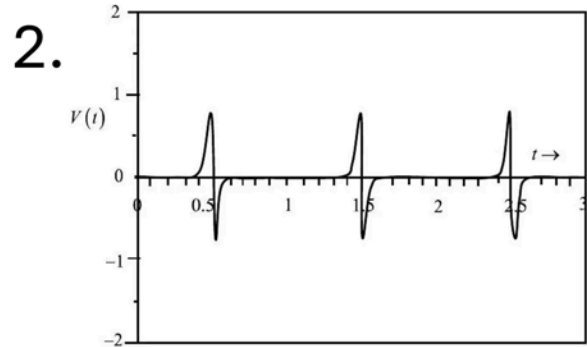
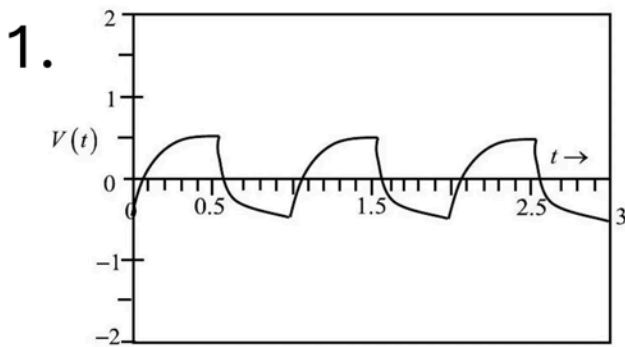
Electronics > OPAMP

CSIR NET	2024 June	3.5M
----------	-----------	------

A train of square wave pulses is given to the input of an ideal opamp circuit shown below.



Given that the period of the input pulses $T \ll RC$ and the opamp does not get into saturation, which of the following best represents the output waveform?



Q46. [June 2024] . 5.0 marks

Classical Mechanics > Central forces

CSIR NET	2024 June	5M
----------	-----------	----

A particle of mass m is moving in a potential $V(r) = -\frac{k}{r}$, where k is a positive constant. If \vec{L} and \vec{p} denote the angular momentum and linear momentum respectively, the value of α for which $\vec{A} = \vec{L} \times \vec{p} + \alpha mk\hat{r}$ is a constant of motion, is

1. -2
2. -1
3. 2
4. 1

Q47. [June 2024] . 5.0 marks

Classical Mechanics > Oscillations

CSIR NET	2024 June	5M
----------	-----------	----

A linear molecule is modelled as two atoms of equal mass m placed at coordinates x_1 and x_2 , connected by a spring of spring constant k . The molecule is moving in one dimension under an additional external potential $V(x_1, x_2) = \frac{1}{2}m\omega_0^2(x_1^2 + x_2^2)$. If one frequency of molecular vibration is ω_0 , the other frequency is

1. $\sqrt{\omega_0^2 - \frac{k}{m}}$

2. $\sqrt{\omega_0^2 + \frac{k}{m}}$

3. $\sqrt{\omega_0^2 + \frac{2k}{m}}$

4. $\sqrt{\omega_0^2 - \frac{2k}{m}}$

Q48. [June 2024] . 5.0 marks

Classical Mechanics > Poisson brackets

CSIR NET	2024 June	5M
----------	-----------	----

For a simple harmonic oscillator, the Lagrangian is given by

$$L = \frac{1}{2} \dot{q}^2 - \frac{1}{2} q^2$$

If $H(q, p)$ is the Hamiltonian of the system and

$A(p, q) = \frac{1}{\sqrt{2}} (p + iq)$, the Poisson bracket $\{A, H\}$ is

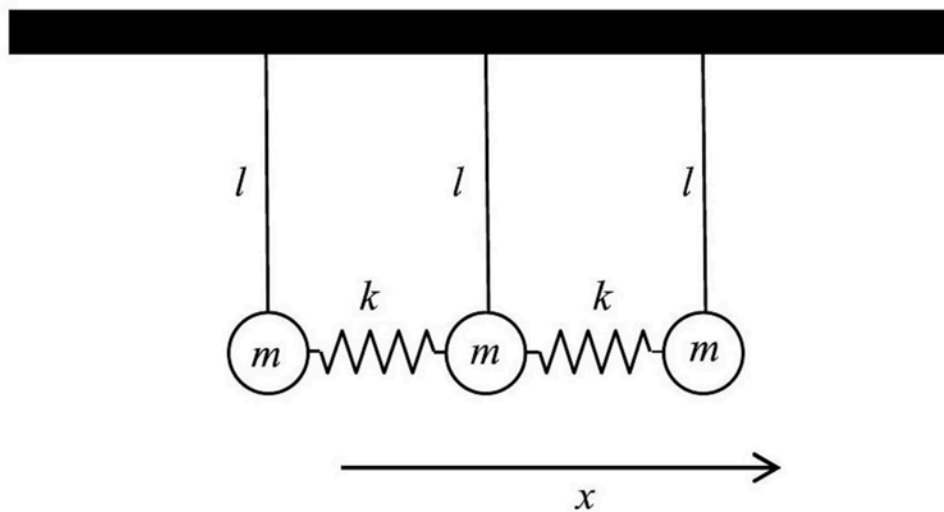
1. iA
2. A^*
3. $-iA^*$
4. $-iA$

Q49. [June 2024] . 5.0 marks

Classical Mechanics > Oscillations

CSIR NET	2024 June	5M
----------	-----------	----

Three identical simple pendula (of mass m and equilibrium string length l) are attached together by springs of spring constant k , as shown in the figure.



The frequencies of small oscillations are given by

$\sqrt{\frac{g}{l}}$, $\sqrt{\frac{k}{m} + \frac{g}{l}}$, $\sqrt{\frac{3k}{m} + \frac{g}{l}}$. The normal modes (without normalisation) corresponding to these frequencies respectively are

1. $(1,1,1)$, $(1,0,1)$, $(1, -2,1)$
2. $(1,1,1)$, $(1,0, -1)$, $(1,2,1)$
3. $(1,1,1)$, $(1,0, -1)$, $(1, -2,1)$
4. $(1,2,1)$, $(1,0, -1)$, $(1,1,1)$

Q50. [June 2024] . 5.0 marks

Quantum Mechanics > Variational Principle

CSIR NET	2024 June	5M
----------	-----------	----

Using a normalized trial wavefunction $\psi(x) = \sqrt{\alpha}e^{-\alpha|x|}$ (α is a positive real constant) for a particle of mass m in the potential $V(x) = -\lambda\delta(x)$, ($\lambda > 0$), the estimated ground state energy is

1. $-\frac{m\lambda^2}{\hbar^2}$
2. $\frac{m\lambda^2}{\hbar^2}$
3. $\frac{m\lambda^2}{2\hbar^2}$
4. $-\frac{m\lambda^2}{2\hbar^2}$

Q51. [June 2024] . 5.0 marks

Quantum Mechanics > WKB Approximation

CSIR NET	2024 June	5M
----------	-----------	----

The Hamiltonian of a particle of mass m is given by

$$H = \frac{p^2}{2m} + V(x), \text{ with } V(x) = \begin{cases} -\alpha x & \text{for } x \leq 0 \\ \beta x & \text{for } x > 0 \end{cases}$$

where α, β are positive constants. The n^{th} energy eigenvalue E_n obtained using WKB approximation

$$\text{is } E_n^{3/2} = \frac{3}{2} \left(\frac{\hbar^2}{2m} \right)^{1/2} \pi \left(n - \frac{1}{2} \right) f(\alpha, \beta) \quad (n = 1, 2, \dots)$$

The function $f(\alpha, \beta)$ is

1. $\sqrt{\frac{\alpha^2 \beta^2}{2(\alpha^2 + \beta^2)}}$

2. $\frac{\alpha \beta}{\alpha + \beta}$

3. $\frac{\alpha + \beta}{4}$

4. $\frac{1}{2} \sqrt{\frac{\alpha^2 + \beta^2}{2}}$

Q52. [June 2024] . 5.0 marks

Quantum Mechanics > Dirac delta potential

CSIR NET	2024 June	5M
----------	-----------	----

A particle of energy E is scattered off a one-dimensional potential $\lambda\delta(x)$, where λ is a real positive constant, with a transmission amplitude t_+ . In a different experiment, the same particle is scattered off another one-dimensional potential $-\lambda\delta(x)$, with a transmission amplitude t_- . In the limit $E \rightarrow 0$, the phase difference between t_+ and t_- is

1. $\pi/2$
2. π
3. 0
4. $3\pi/2$

Q53. [June 2024] . 5.0 marks

Mathematical Physics > Group Theory

CSIR NET	2024 June	5M
----------	-----------	----

The following four matrices form a representation of a group

$$I = \begin{pmatrix} 1 & 0 \\ 0 & 1 \end{pmatrix}, A = \begin{pmatrix} -1 & 0 \\ 0 & -1 \end{pmatrix},$$

$$B = \begin{pmatrix} 0 & 1 \\ 1 & 0 \end{pmatrix}, C = \begin{pmatrix} 0 & -1 \\ -1 & 0 \end{pmatrix}$$

Which of the following represents the multiplication table for the same group?

1.

	<i>I</i>	<i>A</i>	<i>B</i>	<i>C</i>
<i>I</i>	<i>I</i>	<i>A</i>	<i>B</i>	<i>C</i>
<i>A</i>	<i>A</i>	<i>I</i>	<i>C</i>	<i>B</i>
<i>B</i>	<i>B</i>	<i>C</i>	<i>A</i>	<i>I</i>
<i>C</i>	<i>C</i>	<i>B</i>	<i>I</i>	<i>A</i>

2.

	<i>I</i>	<i>A</i>	<i>B</i>	<i>C</i>
<i>I</i>	<i>I</i>	<i>A</i>	<i>B</i>	<i>C</i>
<i>A</i>	<i>A</i>	<i>B</i>	<i>C</i>	<i>I</i>
<i>B</i>	<i>B</i>	<i>C</i>	<i>I</i>	<i>A</i>
<i>C</i>	<i>C</i>	<i>I</i>	<i>A</i>	<i>B</i>

3.

	<i>I</i>	<i>A</i>	<i>B</i>	<i>C</i>
<i>I</i>	<i>I</i>	<i>A</i>	<i>B</i>	<i>C</i>
<i>A</i>	<i>A</i>	<i>C</i>	<i>I</i>	<i>B</i>
<i>B</i>	<i>B</i>	<i>I</i>	<i>C</i>	<i>A</i>
<i>C</i>	<i>C</i>	<i>B</i>	<i>A</i>	<i>I</i>

4.

	<i>I</i>	<i>A</i>	<i>B</i>	<i>C</i>
<i>I</i>	<i>I</i>	<i>A</i>	<i>B</i>	<i>C</i>
<i>A</i>	<i>A</i>	<i>I</i>	<i>C</i>	<i>B</i>
<i>B</i>	<i>B</i>	<i>C</i>	<i>I</i>	<i>A</i>
<i>C</i>	<i>C</i>	<i>B</i>	<i>A</i>	<i>I</i>

Q54. [June 2024] . 5.0 marks

Mathematical Physics > Integral Equations

CSIR NET	2024 June	5M
----------	-----------	----

An integral transform $\tilde{f}(x)$ of a function $f(x)$ can be regarded as a result of applying an operator F to the function such that

$$(Ff)(x) \equiv \tilde{f}(x) = \int_{-\infty}^{\infty} dy e^{-ixy} f(y)$$

If I is the identity operator, then the operator F^4 is given by

1. $(2\pi)^4 I$
2. $(2\pi) I$
3. I
4. $(2\pi)^2 I$

Q55. [June 2024] . 5.0 marks

Mathematical Physics > Ordinary Differential Equations

CSIR NET

2024 June

5M

The general solution for the second order differential equation

$$\frac{d^2y}{dx^2} - y = x \sin x$$

will be

1. $C_1 e^x + C_2 e^{-x} - \frac{1}{2} (x \sin x + \cos x)$

2. $C_1 e^x + C_2 e^{-x} - \frac{1}{2} (\sin x - x \cos x)$

3. $C_1 e^x + C_2 e^{-x} + \frac{1}{2} x (\sin x - \cos x)$

4. $C_1 e^x + C_2 e^{-x} + \frac{1}{2} x (\sin x + \cos x)$

(where C_1 and C_2 are arbitrary constants)

Q56. [June 2024] . 5.0 marks

Mathematical Physics > Numerical Methods

CSIR NET	2024 June	5M
----------	-----------	----

The integral $I = \int_0^1 \frac{2x}{1+x^2} dx$ is estimated using Simpson's 1/3rd rule with a grid value of $h = 0.5$. The difference ($I_{\text{estimated}} - I_{\text{exact}}$) is closest to

1. 0.007
2. 0.001
3. 0.0007
4. -0.005

Q57. [June 2024] . 5.0 marks

Electromagnetism > EM Waves

CSIR NET	2024 June	5M
----------	-----------	----

In a non-magnetic material with no free charges and no free currents, the permittivity ϵ is a function of position. If \vec{E} represents the electric field and μ_0, ϵ_0 are free space permeability and permittivity respectively, which one of the following expressions is correct?

$$1. \nabla^2 E - \mu_0 \frac{\partial^2(\epsilon E)}{\partial t^2} - \frac{1}{\epsilon_0} \nabla(E \cdot \nabla \epsilon) = 0$$

$$2. \nabla^2 E - \mu_0 \frac{\partial^2(\epsilon E)}{\partial t^2} + \frac{1}{\epsilon_0} \nabla(E \cdot \nabla \epsilon) = 0$$

$$3. \nabla^2 \vec{E} - \mu_0 \frac{\partial^2(\epsilon \vec{E})}{\partial t^2} + \vec{\nabla} \left(\frac{1}{\epsilon} \vec{E} \cdot \vec{\nabla} \epsilon \right) = 0$$

$$4. \nabla^2 E - \mu_0 \frac{\partial^2(\epsilon E)}{\partial t^2} - \nabla \left(\frac{1}{\epsilon} E \cdot \nabla \epsilon \right) = 0$$

Q58. [June 2024] . 5.0 marks

Electromagnetism > EM Waves

CSIR NET	2024 June	5M
----------	-----------	----

A radio station antenna on the earth's surface radiates 50 kW power isotropically. Assume the electromagnetic waves to be sinusoidal and the ground to be a perfect absorber. Neglecting any transmission loss and effects of earth's curvature, the peak value of the magnetic field (in Tesla) detected at a distance of 100 km is closest to

1. 1.5×10^{-11}
2. 5.5×10^{-11}
3. 8.5×10^{-11}
4. 3.5×10^{-11}

Q59. [June 2024] . 5.0 marks

Electromagnetism > Magnetostatics

CSIR NET	2024 June	5M
----------	-----------	----

A particle of unit mass and unit charge is moving in a magnetic field, which varies as $\vec{B}(\vec{r}) = b_0 \vec{r}/r^3$ (b_0 is a constant) over a region far away from the origin. If \vec{L} is the instantaneous angular momentum of the particle within that region, then $d\vec{L}/dt$ is

1. $2b_0 \frac{d}{dt} \left(\frac{\vec{r}}{r} \right)$
2. $-b_0 \frac{d}{dt} \left(\frac{\vec{r}}{r} \right)$
3. $b_0 \frac{d}{dt} \left(\frac{\vec{r}}{r} \right)$
4. 0

Q60. [June 2024] . 5.0 marks

Electromagnetism > Capacitors

CSIR NET	2024 June	5M
----------	-----------	----

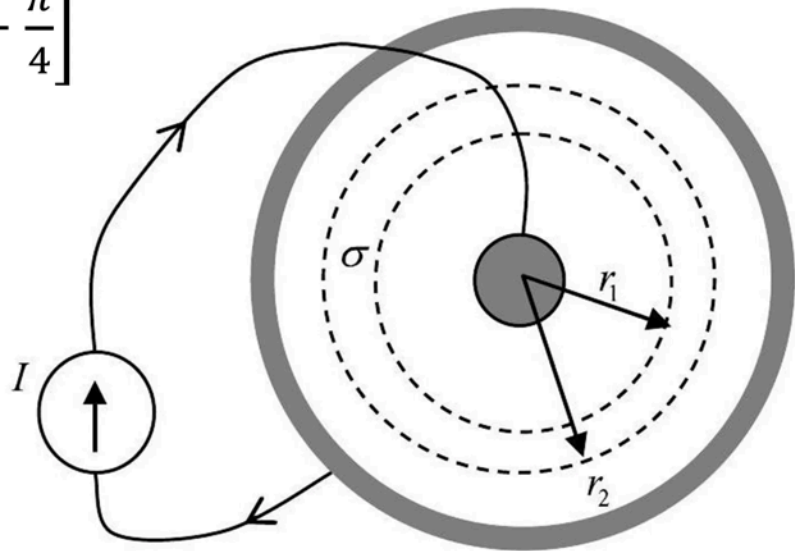
A two-dimensional sheet with a uniform sheet conductivity of σ has a central metallic point contact and a circular metal contact at the boundary as shown in the figure. If a constant current I is injected through the central contact and collected at the boundary, then the voltage difference between two points on the sheet at radius r_1 and r_2 is proportional to

1. $\frac{I}{\sigma} \left[\tan^{-1} \left(\frac{r_2}{r_1} \right) - \frac{\pi}{4} \right]$

2. $\frac{I}{\sigma} \left[\ln \left(\frac{r_2}{r_1} \right) \right]$

3. $\frac{I}{\sigma} \left(\frac{r_2 - r_1}{r_2 + r_1} \right)$

4. $\frac{I}{\sigma} \left(\frac{r_2 - r_1}{r_2 + r_1} \right)^3$



Q61. [June 2024] . 5.0 marks

Atomic and Molecular Physics > Molecular physics

CSIR NET	2024 June	5M
----------	-----------	----

Rotational energy of a molecule in the angular momentum state j is given by $E_j = \frac{\hbar^2}{2I} j(j+1)$, where I is the moment of inertia of the molecule. The probability that the molecule will be in its ground state at temperature T (such that $k_B T \gg \frac{\hbar^2}{2I}$), is

1. $\frac{3}{2} \frac{\hbar^2}{Ik_B T}$
2. $\frac{2}{3} \frac{\hbar^2}{Ik_B T}$
3. $\frac{1}{2} \frac{\hbar^2}{Ik_B T}$
4. $\frac{\hbar^2}{Ik_B T}$

Q62. [June 2024] . 5.0 marks

Statistical Mechanics > Random Walk/Brownian motion/Diffusion

CSIR NET	2024 June	5M
----------	-----------	----

A random walker takes a step of unit length towards right or left at any discrete time step. Starting from $x = 0$ at time $t = 0$, it goes right to reach $x = 1$ at $t = 1$. Hereafter if it repeats the direction taken in the previous step with probability p , the probability that it is again at $x = 1$ at $t = 3$ is

1. $1 - p$
2. $(1 - p)^2$
3. $2p(1 - p)$
4. $4p^2(1 - p)$

Q63. [June 2024] . 5.0 marks

Statistical Mechanics > Ising model

CSIR NET	2024 June	5M
----------	-----------	----

Five classical spins are placed at the vertices of a regular pentagon. The Hamiltonian of the system is $H = J\sum S_i S_j$, where $J > 0$, $S_i = \pm 1$ and the sum is over all possible nearest neighbour pairs. The degeneracy of the ground state is

1. 8
2. 5
3. 4
4. 10

Q64. [June 2024] . 5.0 marks

Electronics > AD/DA Conversion

CSIR NET	2024 June	5M
----------	-----------	----

A piezoresistive pressure sensor utilizes change in electrical resistance (ΔR) with change in pressure (ΔP) as $\Delta R = -R_0 \log_{10} \left(\frac{\Delta P}{P_0} \right)$, where $R_0 = 500\Omega$ and $P_0 = 1000\text{mbar}$. A current of $2\mu\text{A}$ is passed through the sensor and the resultant voltage drop is measured using an analog-to-digital (ADC) converter having a range 0 to 1 V . If a pressure change of 1 mbar is to be measured, amongst the given options, the minimum number of bits needed for the ADC is

1. 12
2. 14
3. 8
4. 10

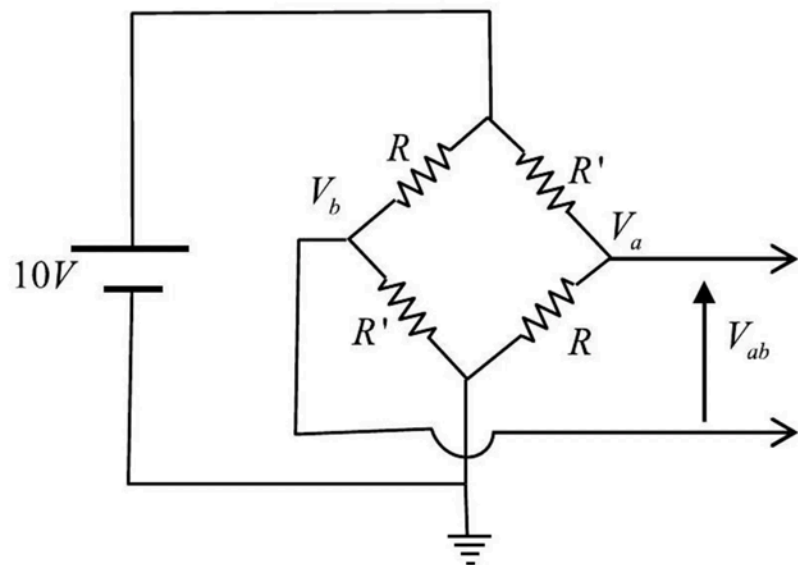
Q65. [June 2024] . 5.0 marks

Electronics > Basic Electronics

CSIR NET	2024 June	5M
----------	-----------	----

In the circuit shown in the figure, the resistances R and R' change due to strain. While R increases, R' decreases by the same amount ΔR due to the applied strain. The unstrained values of R and R' are 100Ω each. If same strain is applied to all the resistors, and the output voltage (V_{ab}) changes to 0.3 V , then ΔR is closest to

1. 3Ω
2. 1.5Ω
3. 4.5Ω
4. 6Ω



Q66. [June 2024] . 5.0 marks

Electronics > "Errors , curve fitting and data analysis"

CSIR NET	2024 June	5M
----------	-----------	----

An astronomer observes 500 objects and classifies them as either of type A or type B. She finds 148 objects to be of type B. Assuming a binomial distribution, the best estimate of the fraction of type A objects and its associated standard deviation respectively are

1. 0.704,0.002
2. 0.70,0.02
3. 0.704,0.031
4. 0.72,0.03

Q67. [June 2024] . 5.0 marks

Solid State Physics > Lattice vibrations

CSIR NET	2024 June	5M
----------	-----------	----

The Debye temperature of a two-dimensional insulator is 150 K . The ratio of the heat required to raise its temperature from 1 K to 2 K and from 2 K to 3 K is

1. 7:19
2. 3:13
3. 1:1
4. 3:5

Q68. [June 2024] . 5.0 marks

Solid State Physics > Crystallography

CSIR NET	2024 June	5M
----------	-----------	----

Consider a body-centered tetragonal lattice with lattice constants $a = b = a_0$ and $c = \frac{a_0}{2}$. The number of nearest neighbours, the nearest neighbour distance, the number of next nearest neighbours and the next nearest neighbour distance, respectively, are

1. $6, \frac{1}{2} a_0, 8, \frac{\sqrt{3}}{2} a_0$
2. $8, \frac{\sqrt{3}}{2} a_0, 6, a_0$
3. $2, \frac{1}{2} a_0, 8, \frac{3}{4} a_0$
4. $8, a_0, 6, \frac{4}{3} a_0$

Q69. [June 2024] . 5.0 marks

Solid State Physics > Tight binding model

CSIR NET	2024 June	5M
-----------------	------------------	-----------

The band dispersion of electrons in a two-dimensional square lattice (lattice constant a) is given by,

$$E(k_x, k_y) = -2(t_x \cos k_x a + t_y \cos k_y a)$$

where $t_x, t_y > 0$. The effective mass tensor $m^* = \begin{pmatrix} m_{xx} & m_{xy} \\ m_{yx} & m_{yy} \end{pmatrix}$

of electrons at $\vec{k} = \left(\frac{\pi}{a}, \frac{\pi}{a}\right)$ is

1. $\begin{pmatrix} 0 & \frac{\hbar^2}{2a^2\sqrt{t_x t_y}} \\ \frac{\hbar^2}{2a^2\sqrt{t_x t_y}} & 0 \end{pmatrix}$

2. $\begin{pmatrix} \frac{\hbar^2}{2a^2 t_x} & 0 \\ 0 & \frac{\hbar^2}{2a^2 t_y} \end{pmatrix}$

3. $\begin{pmatrix} -\frac{\hbar^2}{2a^2 t_x} & 0 \\ 0 & -\frac{\hbar^2}{2a^2 t_y} \end{pmatrix}$

4. $\begin{pmatrix} 0 & -\frac{\hbar^2}{2a^2(t_x + t_y)} \\ -\frac{\hbar^2}{2a^2(t_x + t_y)} & 0 \end{pmatrix}$

Q70. [June 2024] . 5.0 marks

Atomic and Molecular Physics > Molecular physics

CSIR NET	2024 June	5M
----------	-----------	----

The bond dissociation energy of a molecule is defined as the energy required to dissociate it. For H_2 and H_2^+ molecules, the bond dissociation energies are 4.478 eV and 2.651 eV respectively. If the equilibrium bond lengths of both H_2 and H_2^+ are identical, the value of the ionization potential of hydrogen molecule will be closest to

1. 15.427 eV
2. 11.773 eV
3. 20.729 eV
4. 6.471 eV

Q71. [June 2024] . 5.0 marks

Atomic and Molecular Physics > Xray and alkali spectra

CSIR NET	2024 June	5M
----------	-----------	----

Helium atom is excited to a state with the configuration $(2s2p)$ with an energy 58.3 eV . After some time, this atom spontaneously ejects a single electron. The value of the orbital angular momentum quantum number (l) of the ejected electron in the final state of the system is (*ionization potential of $He(1s)^2$ is 24.6 eV*)

- 1
- 0
- 2
- 3

Q72. [June 2024] . 5.0 marks

Atomic and Molecular Physics > Bohr Model and h-atom model

CSIR NET	2024 June	5M
----------	-----------	----

An atom of mass m , initially at rest, resonantly absorbs a photon. It makes a transition from the ground state to an excited state and also gets a momentum kick. If the difference between the energies of the ground state and the excited state is $\hbar\Delta$, the angular frequency of the absorbed photon is closest to

1. $\Delta \left(1 + \frac{3}{2} \frac{\hbar\Delta}{2mc^2} \right)$

2. $\Delta \left(1 + \frac{1}{2} \frac{\hbar\Delta}{mc^2} \right)$

3. $\Delta \left(1 + \frac{\hbar\Delta}{mc^2} \right)$

4. $\Delta \left(1 + 2 \frac{\hbar\Delta}{mc^2} \right)$

Q73. [June 2024] . 5.0 marks

Nuclear and Particle Physics > Nuclear forces and Scattering

CSIR NET	2024 June	5M
----------	-----------	----

In a scattering experiment, a beam of e^- with an energy of 420 MeV scatters off an atomic nucleus. If this first minimum of the differential cross section is observed at a scattering angle of 45° , the radius of the nucleus (in fermi) is closest to

1. 0.4
2. 8.0
3. 2.5
4. 0.8

Q74. [June 2024] . 5.0 marks

Nuclear and Particle Physics > Radioactivity

CSIR NET	2024 June	5M
----------	-----------	----

π^- has spin 0 and negative intrinsic parity. In a reaction a deuteron in its ground state ($J = 1$, parity +1) captures a π^- in p -wave to produce a pair of neutrons (intrinsic parity is +1). The neutrons will be produced in a state with

1. $l = 1, S = 0$
2. $l = 0, S = 1$
3. $l = 1, S = 1$
4. $l = 0, S = 0$

Q75. [June 2024] . 5.0 marks

Nuclear and Particle Physics > Particle physics

CSIR NET	2024 June	5M
----------	-----------	----

The Δ^{++} can be produced by colliding a pion beam onto a H_2 target, in a reaction $\pi^+ + p \rightarrow \Delta^{++} \rightarrow \pi^+ + p$. In the rest frame of Δ^{++} , the energy and momentum of the pion in the final state (in MeV) are closest to (assume $c = 1$, and $m_\pi \approx 140\text{MeV}$, $m_p \approx 1\text{GeV}$, $m_{\Delta^{++}} \approx 1.2\text{GeV}$)

1. 210,156
2. 230,182
3. 175,105
4. 190, 130

Answer Key

75 questions . Subject and topic for quick revision

Q. No	Subject	Topic	Answer
Q1	General Aptitude	Mathematical Analysis	4
Q2	General Aptitude	Mathematical Analysis	1
Q3	General Aptitude	Geometry	2
Q4	General Aptitude	Geometry	4
Q5	General Aptitude	Mathematical Analysis	1
Q6	General Aptitude	Reasoning	1
Q7	General Aptitude	Data Analysis	1
Q8	General Aptitude	Mathematical Analysis	3
Q9	General Aptitude	Mathematical Analysis	1
Q10	General Aptitude	Mathematical Analysis	3
Q11	General Aptitude	Data Analysis	2
Q12	General Aptitude	Geometry	3
Q13	General Aptitude	Mathematical Analysis	4
Q14	General Aptitude	Basic Physics	1
Q15	General Aptitude	Data Analysis	3
Q16	General Aptitude	Data Analysis	3
Q17	General Aptitude	Geometry	3
Q18	General Aptitude	Basic Physics	3
Q19	General Aptitude	Basic Physics	4
Q20	General Aptitude	Geometry	4
Q21	Classical Mechanics	Phase space diagrams	1
Q22	Classical Mechanics	Rotation Motion	2
Q23	Classical Mechanics	Central forces	4
Q24	Classical Mechanics	Special theory of relativity	1
Q25	Quantum Mechanics	Quantum Harmonic Oscillator	3
Q26	Quantum Mechanics	Basic Quantum Mechanics	2
Q27	Quantum Mechanics	Spin Angular momentum	2
Q28	Quantum Mechanics	Orbital angular Momentum and Hydrogen atom	1
Q29	Quantum Mechanics	Orbital angular Momentum and Hydrogen atom	1
Q30	Mathematical Physics	Probability	1
Q31	Mathematical Physics	Vector Algebra and Vector Calculus	4
Q32	Mathematical Physics	Matrices and Linear Algebra	4
Q33	Mathematical Physics	Gamma and beta functions	3
Q34	Electromagnetism	EM Waves	4
Q35	Electromagnetism	EM Waves	4
Q36	Electromagnetism	Multipoles	3
Q37	Optics	Interference and diffraction	3
Q38	Statistical Mechanics	Canonical Ensemble	1
Q39	Statistical Mechanics	Canonical Ensemble	2
Q40	Thermodynamics	Laws of thermodynamics	1

Answer Key (cont.)

Q. No	Subject	Topic	Answer
Q41	Statistical Mechanics	Microcanonical Ensemble	4
Q42	Electronics	"Errors , curve fitting and data analysis"	2
Q43	Electronics	Instruments	2
Q44	Electronics	Digital Electronics	3
Q45	Electronics	OPAMP	4
Q46	Classical Mechanics	Central forces	4
Q47	Classical Mechanics	Oscillations	3
Q48	Classical Mechanics	Poisson brackets	1
Q49	Classical Mechanics	Oscillations	3
Q50	Quantum Mechanics	Variational Principle	4
Q51	Quantum Mechanics	WKB Approximation	2
Q52	Quantum Mechanics	Dirac delta potential	2
Q53	Mathematical Physics	Group Theory	4
Q54	Mathematical Physics	Integral Equations	4
Q55	Mathematical Physics	Ordinary Differential Equations	1
Q56	Mathematical Physics	Numerical Methods	1
Q57	Electromagnetism	EM Waves	3
Q58	Electromagnetism	EM Waves	2
Q59	Electromagnetism	Magetostatics	3
Q60	Electromagnetism	Capacitors	2
Q61	Atomic and Molecular Physics	Molecular physics	3
Q62	Statistical Mechanics	Random Walk/Brownian motion/Diffusion	1
Q63	Statistical Mechanics	Ising model	4
Q64	Electronics	AD/DA Conversion	4
Q65	Electronics	Basic Electronics	1
Q66	Electronics	"Errors , curve fitting and data analysis"	2
Q67	Solid State Physics	Lattice vibrations	1
Q68	Solid State Physics	Crystallography	3
Q69	Solid State Physics	Tight binding model	3
Q70	Atomic and Molecular Physics	Molecular physics	1
Q71	Atomic and Molecular Physics	Xray and alkali spectra	1
Q72	Atomic and Molecular Physics	Bohar Model and h-atom model	2
Q73	Nuclear and Particle Physics	Nuclear forces and Scattering	3
Q74	Nuclear and Particle Physics	Radioactivity	4
Q75	Nuclear and Particle Physics	Particle physics	4

Study with PhysicsByAaryan

Full CSIR NET / GATE / JEST / BARC Physics live batch by Aaryan Mehra Sir.
Concept-first teaching, complete PYQ coverage, daily doubt support.

Use coupon CONSISTENCY for Rs. 500 off

Visit

www.physicsbyaaryan.com

www.csirnetphysics.com

Contact

9501976811